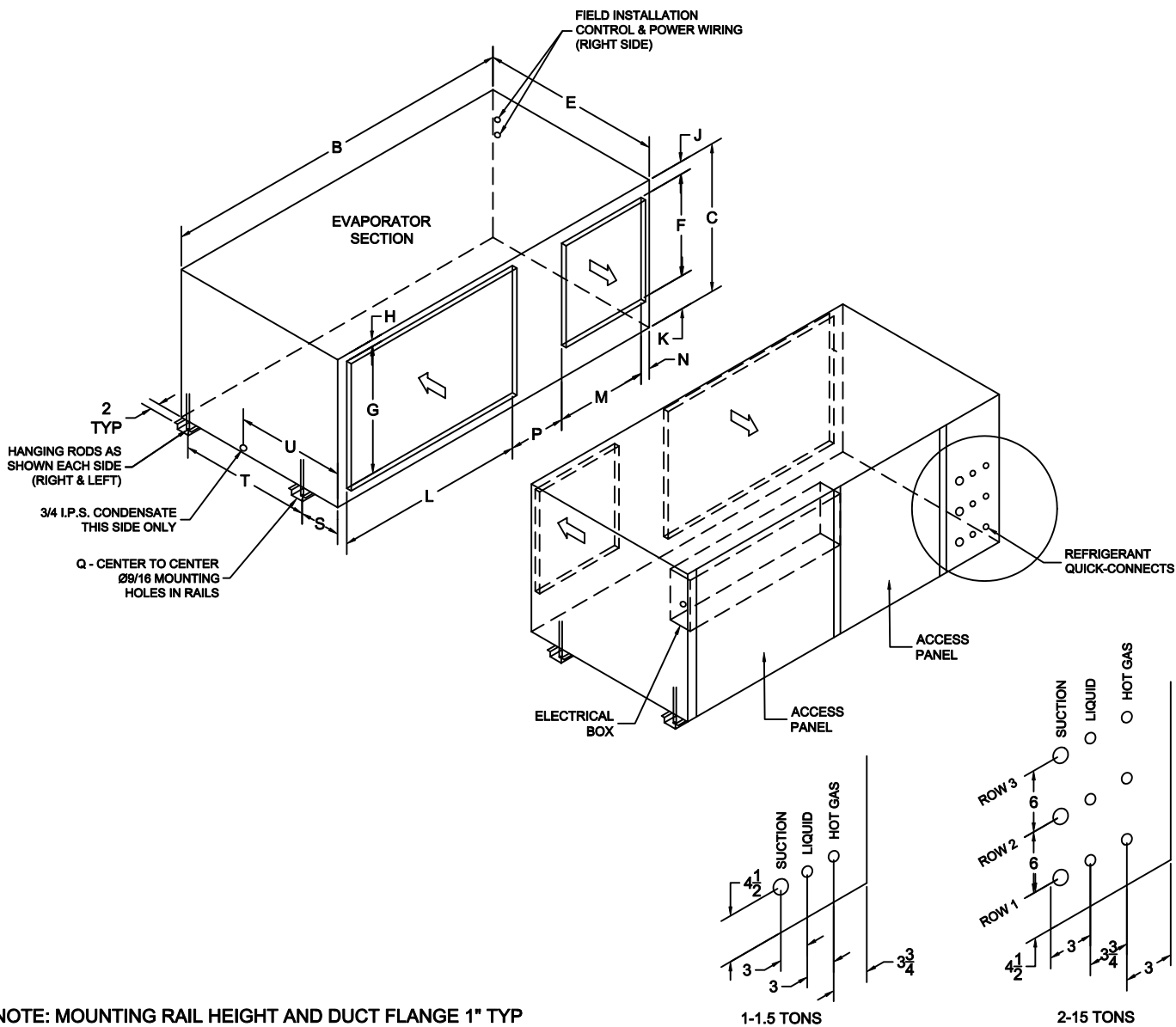


## C-Series - Evaporator Assembly Rear Access



NOTE: MOUNTING RAIL HEIGHT AND DUCT FLANGE 1" TYP

TONS	B	C	E	F	G	H	J	K	L	M	N	P	Q	S	T	PIPING OUTLET LOCATIONS
1-1.5 SINGLE CIRCUIT	35 $\frac{15}{16}$	16	22 $\frac{1}{16}$	12	12	1 $\frac{5}{16}$	1	3	16 $\frac{1}{8}$	12	4 $\frac{1}{16}$	2 $\frac{5}{16}$	37 $\frac{5}{16}$	4 $\frac{3}{4}$	15 $\frac{1}{4}$	
2-5 SINGLE CIRCUIT	47 $\frac{3}{8}$	22	31 $\frac{9}{16}$	16	18	1 $\frac{5}{16}$	$\frac{3}{4}$	5 $\frac{1}{4}$	24	16	3	2 $\frac{5}{16}$	48 $\frac{3}{4}$	7 $\frac{3}{8}$	22 $\frac{1}{16}$	ROW 1
4-8 DUAL CIRCUIT	55 $\frac{3}{8}$	27	31 $\frac{3}{8}$	18	23	1 $\frac{5}{16}$	3 $\frac{5}{8}$	5 $\frac{3}{8}$	32	16	3	2 $\frac{5}{16}$	56 $\frac{3}{4}$	7 $\frac{5}{16}$	21 $\frac{1}{16}$	ROWS 1 & 2
10 DUAL CIRCUIT	70 $\frac{5}{8}$	29	35 $\frac{7}{16}$	20	25	1 $\frac{5}{16}$	2 $\frac{1}{2}$	6 $\frac{1}{2}$	37 $\frac{9}{16}$	18	1 $\frac{7}{8}$	11 $\frac{3}{16}$	72 $\frac{1}{16}$	7 $\frac{3}{8}$	25 $\frac{7}{8}$	ROWS 1 & 3
12-15 TRIPLE CIRCUIT	70 $\frac{5}{8}$	29	35 $\frac{7}{16}$	20	25	1 $\frac{5}{16}$	2 $\frac{1}{2}$	6 $\frac{1}{2}$	37 $\frac{9}{16}$	18	1 $\frac{7}{8}$	11 $\frac{3}{16}$	72 $\frac{1}{16}$	7 $\frac{3}{8}$	25 $\frac{7}{8}$	ROWS 1, 2 & 3

491 East Princess Street • York, Pennsylvania 17403 • 717-843-4311 • Toll Free 877-905-1111 • fax: 717-854-4462

www.unitedcoolair.com • uca@unitedcoolair.com

CA11096(A)(11-1)  
04/14/09