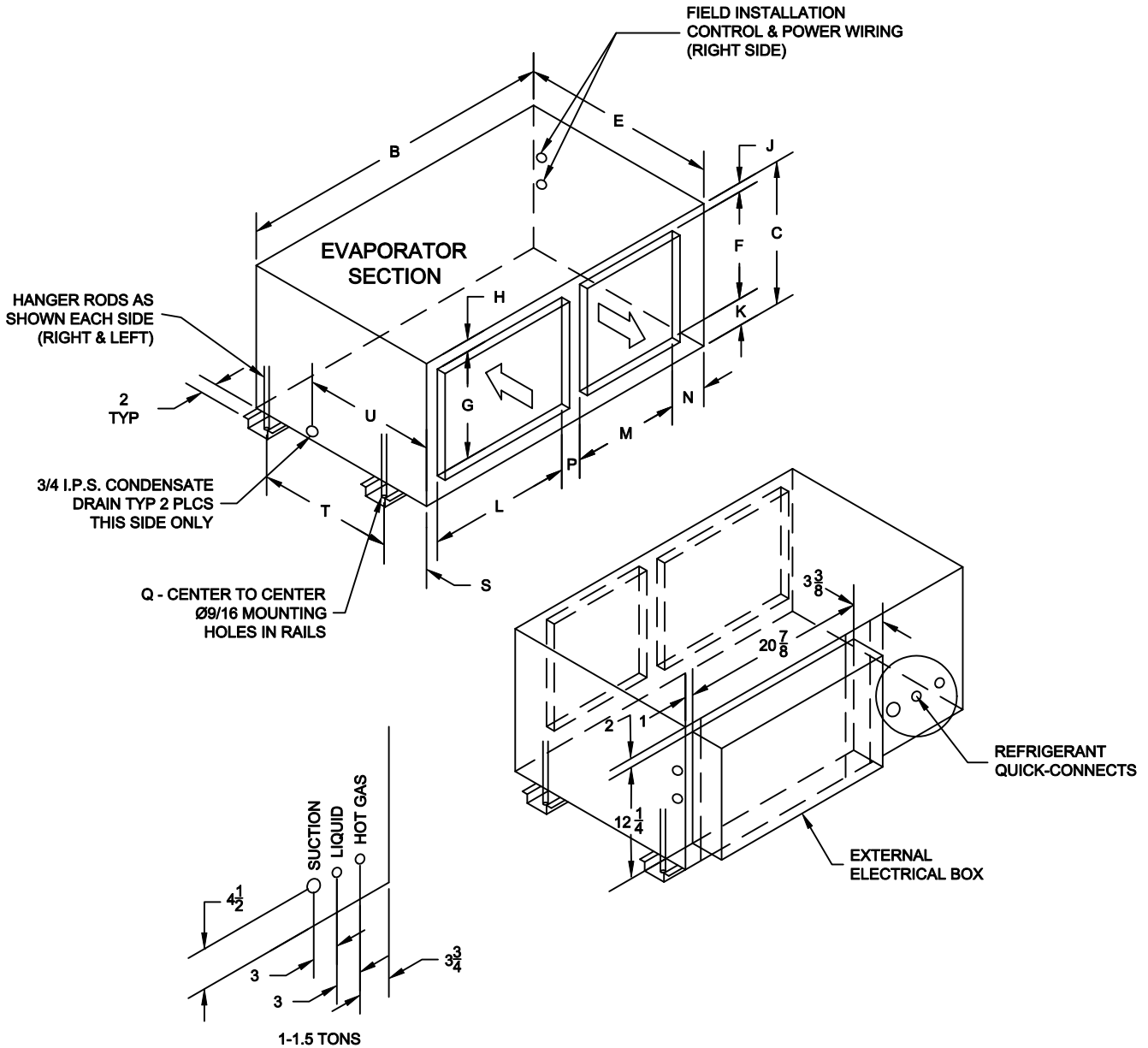


## C-Series - 1 thru 1.5 Ton Evaporator Assembly Rear Access and Marvel



NOTE: MOUNTING RAIL HEIGHT AND DUCT FLANGE 1" TYP

TONS	B	C	E	F	G	H	J	K	L	M	N	P	Q	S	T	U
1-1.5	35 <sup>15</sup> / <sub>16</sub>	16	22 <sup>1</sup> / <sub>16</sub>	12	12	1 <sup>5</sup> / <sub>16</sub>	1	3	16 <sup>1</sup> / <sub>8</sub>	12	4 <sup>1</sup> / <sub>16</sub>	2 <sup>5</sup> / <sub>16</sub>	37 <sup>5</sup> / <sub>16</sub>	4 <sup>3</sup> / <sub>4</sub>	15 <sup>1</sup> / <sub>4</sub>	14 <sup>3</sup> / <sub>4</sub>

491 East Princess Street • York, Pennsylvania 17403 • 717-843-4311 • Toll Free 877-905-1111 • fax: 717-854-4462  
[www.unitedcoolair.com](http://www.unitedcoolair.com) • [uca@unitedcoolair.com](mailto:uca@unitedcoolair.com)