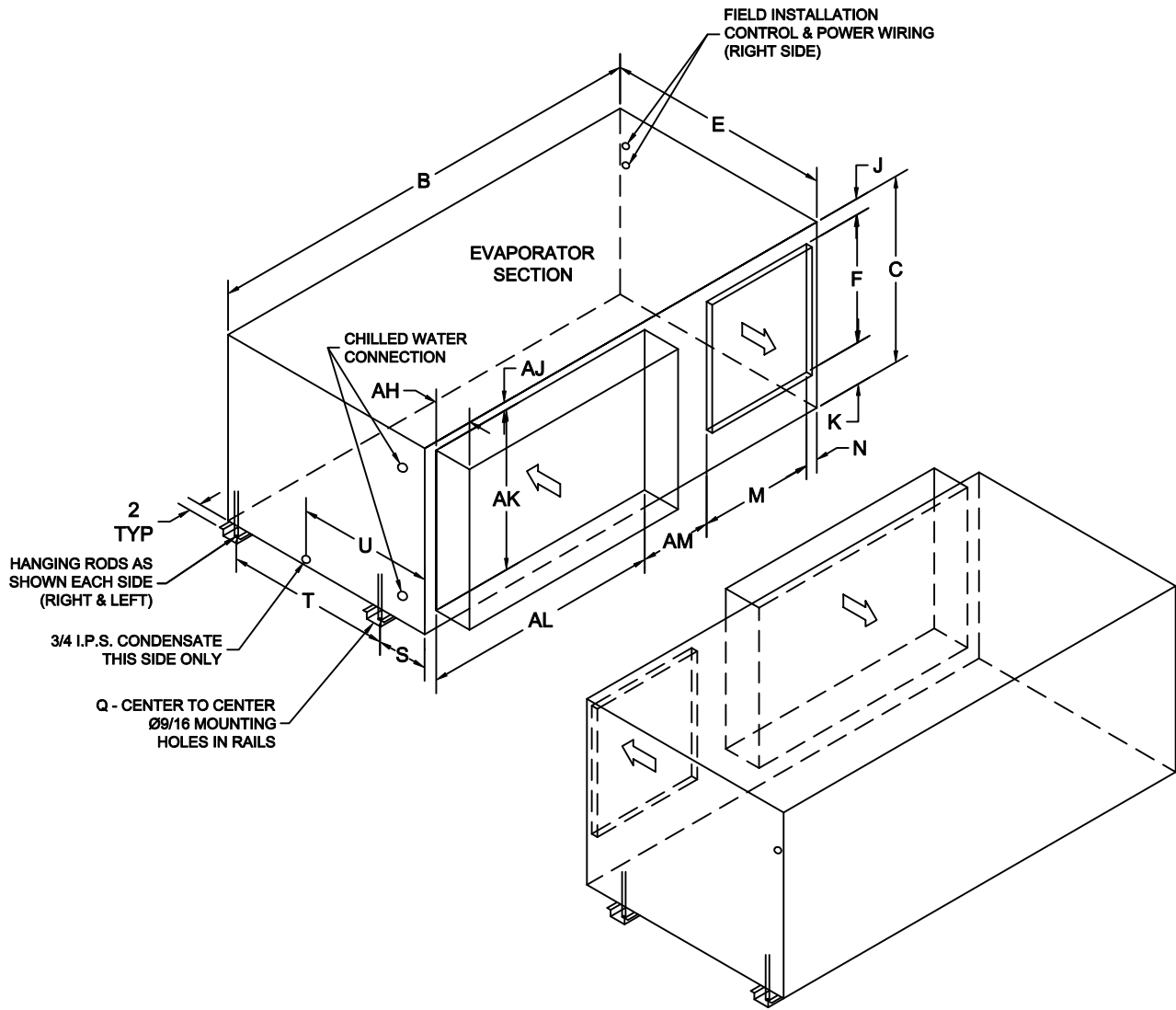




C-Series - Evaporator Assembly w/ Chilled Water Coil & External Filter Box



NOTE: MOUNTING RAIL HEIGHT AND DUCT FLANGE 1" TYP

CABINET	B	C	E	F	J	K	M	N	Q	S	T	AH	AJ	AK	AL	AM
A	35 $\frac{15}{16}$	16	22 $\frac{1}{16}$	12	1	3	12	4 $\frac{1}{16}$	37 $\frac{5}{16}$	4 $\frac{3}{4}$	15 $\frac{1}{4}$	5	13 $\frac{1}{16}$	13 $\frac{7}{8}$	17 $\frac{3}{4}$	1 $\frac{1}{16}$
B	47 $\frac{3}{8}$	22	31 $\frac{9}{16}$	16	$\frac{3}{4}$	5 $\frac{1}{4}$	16	3	48 $\frac{3}{4}$	7 $\frac{3}{8}$	22 $\frac{1}{16}$	6	15 $\frac{1}{16}$	20 $\frac{1}{8}$	24 $\frac{1}{8}$	2 $\frac{3}{16}$
C	55 $\frac{3}{8}$	27	31 $\frac{3}{8}$	18	3 $\frac{5}{8}$	5 $\frac{3}{8}$	16	3	56 $\frac{3}{4}$	7 $\frac{5}{16}$	21 $\frac{1}{16}$	6	15 $\frac{1}{16}$	24 $\frac{3}{16}$	32 $\frac{1}{2}$	13 $\frac{1}{16}$
D	70 $\frac{5}{8}$	29	35 $\frac{7}{16}$	20	2 $\frac{1}{2}$	6 $\frac{1}{2}$	18	1 $\frac{7}{8}$	72 $\frac{1}{16}$	7 $\frac{3}{8}$	25 $\frac{7}{8}$	6	1 $\frac{3}{16}$	25 $\frac{3}{8}$	40 $\frac{1}{8}$	8 $\frac{11}{16}$

491 East Princess Street • York, Pennsylvania 17403 • 717-843-4311 • Toll Free 877-905-1111 • fax: 717-854-4462

www.unitedcoolair.com • uca@unitedcoolair.com

CA11096(-)(16)
04/16/09

Subject to change without notice.