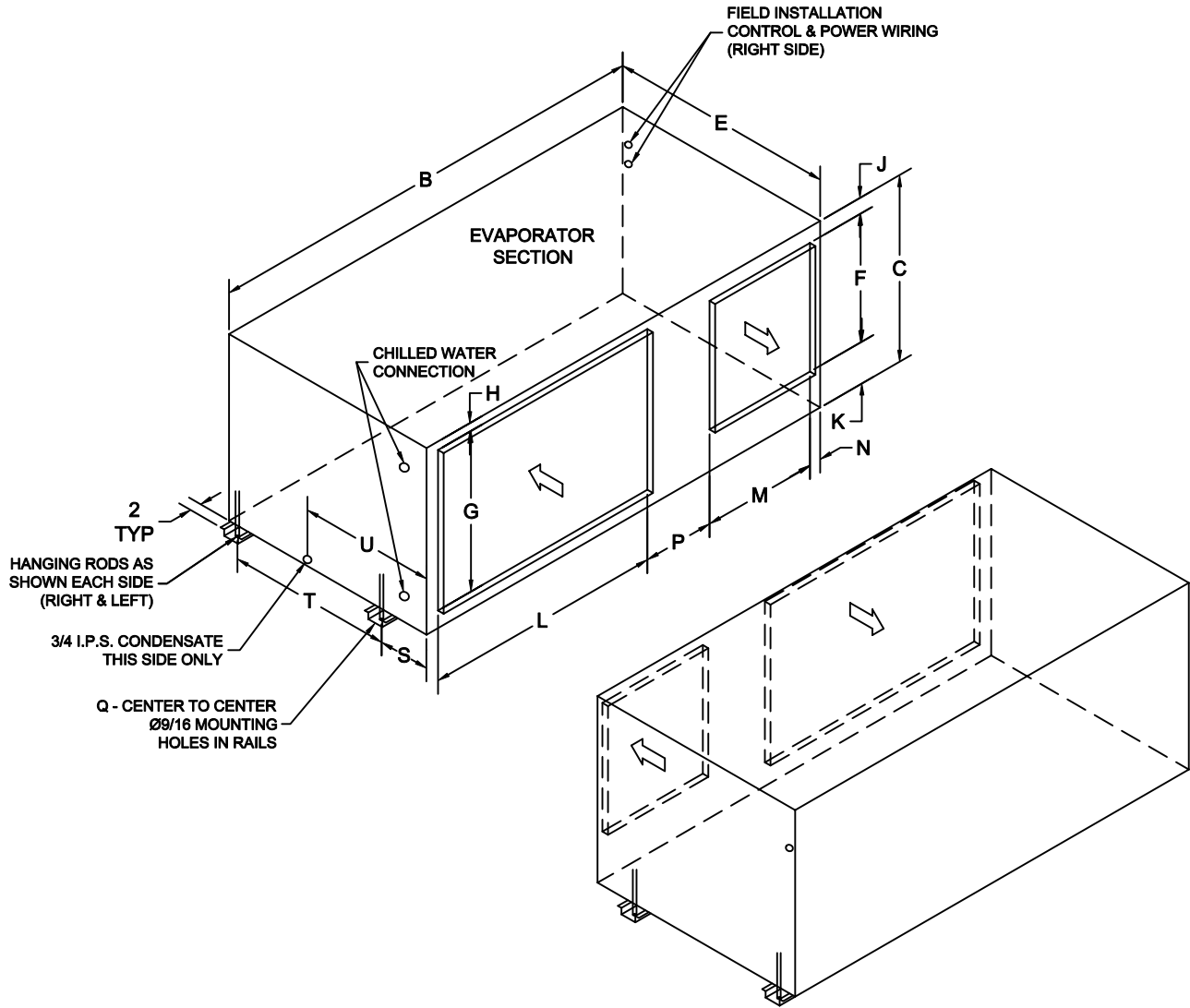




C-Series - Chilled Water Section



NOTE: MOUNTING RAIL HEIGHT AND DUCT FLANGE 1" TYP

CABINET	B	C	E	F	G	H	J	K	L	M	N	P	Q	S	T
A	$35\frac{15}{16}$	16	$22\frac{1}{16}$	12	12	$1\frac{5}{16}$	1	3	$16\frac{1}{8}$	12	$4\frac{1}{16}$	$2\frac{5}{16}$	$37\frac{5}{16}$	$4\frac{3}{4}$	$15\frac{1}{4}$
B	$47\frac{3}{8}$	22	$31\frac{9}{16}$	16	18	$1\frac{5}{16}$	$\frac{3}{4}$	$5\frac{1}{4}$	24	16	3	$2\frac{5}{16}$	$48\frac{3}{4}$	$7\frac{3}{8}$	$22\frac{1}{16}$
C	$55\frac{3}{8}$	27	$31\frac{3}{8}$	18	23	$1\frac{5}{16}$	$3\frac{5}{8}$	$5\frac{3}{8}$	32	16	3	$2\frac{5}{16}$	$56\frac{3}{4}$	$7\frac{5}{16}$	$21\frac{1}{16}$
D	$70\frac{5}{8}$	29	$35\frac{7}{16}$	20	25	$1\frac{5}{16}$	$2\frac{1}{2}$	$6\frac{1}{2}$	$37\frac{9}{16}$	18	$1\frac{7}{8}$	$11\frac{3}{16}$	$72\frac{1}{16}$	$7\frac{3}{8}$	$25\frac{7}{8}$

491 East Princess Street • York, Pennsylvania 17403 • 717-843-4311 • Toll Free 877-905-1111 • fax: 717-854-4462
 www.unitedcoolair.com • uca@unitedcoolair.com

Subject to change without notice.

CA11096(A)(8)
04/14/09