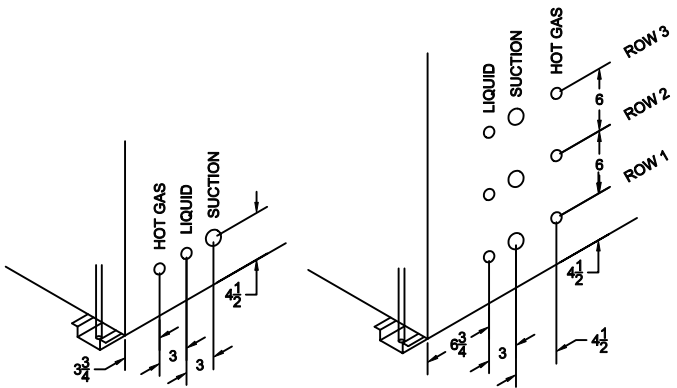
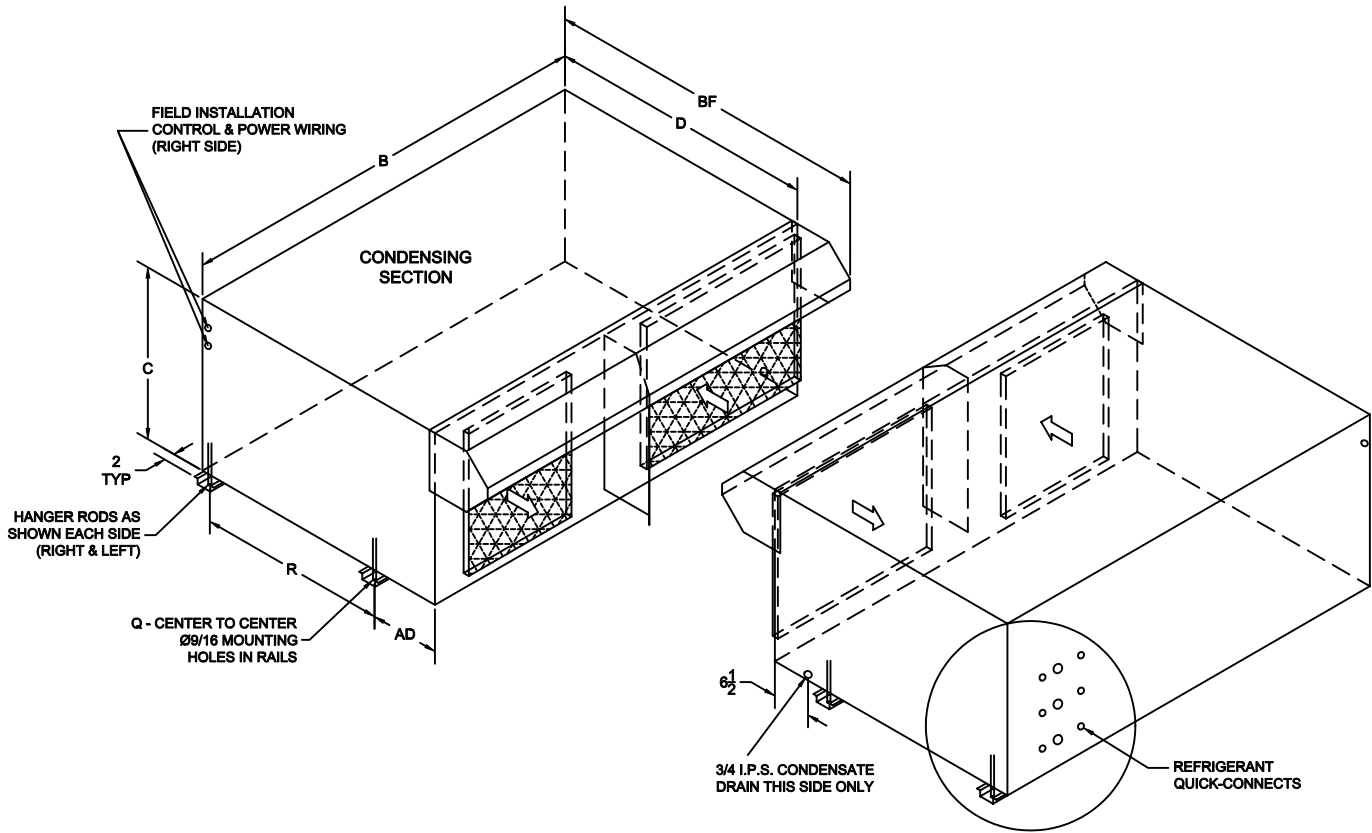


## C-Series - Condenser Assembly w/ Outdoor Modification Kit



**NOTE: MOUNTING RAIL HEIGHT AND DUCT FLANGE 1" TYP**

TONS	B	C	D	Q	R	AD	BF	PIPING OUTLET LOCATIONS
1-1.5 SINGLE CIRCUIT	35 $\frac{15}{16}$	16	29 $\frac{9}{16}$	37 $\frac{5}{16}$	25 $\frac{1}{4}$	2 $\frac{3}{16}$	39 $\frac{15}{16}$	
2-5 SINGLE CIRCUIT	47 $\frac{3}{8}$	22	34 $\frac{3}{4}$	48 $\frac{3}{4}$	21 $\frac{9}{16}$	11 $\frac{1}{8}$	45 $\frac{1}{8}$	ROW 1
4-8 DUAL CIRCUIT	55 $\frac{3}{8}$	27	40 $\frac{3}{8}$	56 $\frac{3}{4}$	27 $\frac{1}{4}$	11 $\frac{1}{8}$	50 $\frac{3}{4}$	ROWS 1 & 2
10 DUAL CIRCUIT	70 $\frac{5}{8}$	29	45 $\frac{5}{16}$	72 $\frac{1}{16}$	32 $\frac{1}{8}$	11 $\frac{1}{8}$	55 $\frac{9}{16}$	ROWS 1 & 3
12-15 TRIPLE CIRCUIT	70 $\frac{5}{8}$	29	45 $\frac{5}{16}$	72 $\frac{1}{16}$	32 $\frac{1}{8}$	11 $\frac{1}{8}$	55 $\frac{9}{16}$	ROWS 1, 2 & 3

491 East Princess Street • York, Pennsylvania 17403 • 717-843-4311 • Toll Free 877-905-1111 • fax: 717-854-4462

www.unitedcoolair.com • uca@unitedcoolair.com

CA11097(A)(6)  
04/14/09