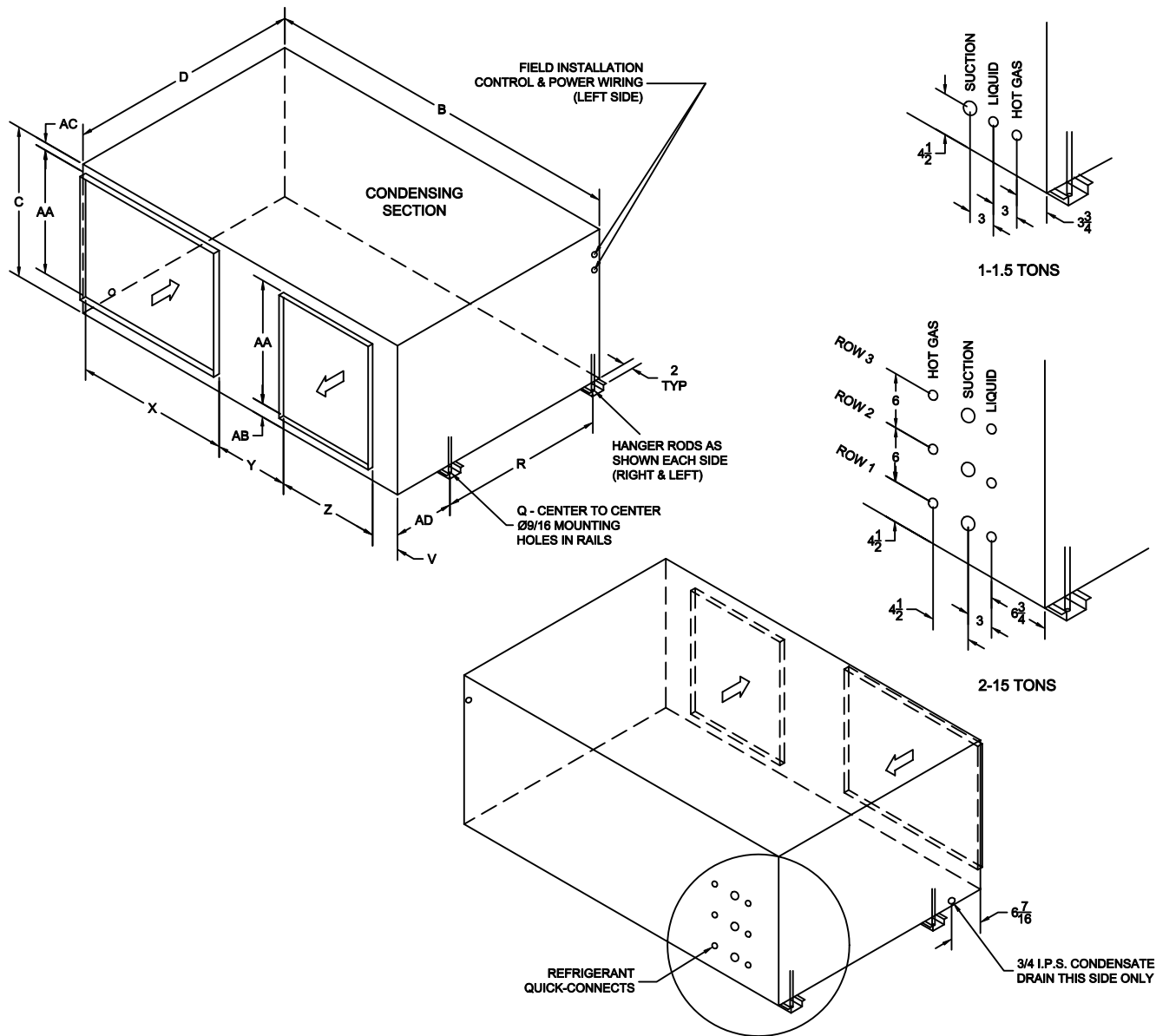


C-Series - Mirrored Condenser Assembly



NOTE: MOUNTING RAIL HEIGHT AND DUCT FLANGE 1" TYP

TONS	B	C	D	Q	R	V	X	Y	Z	AA	AB	AC	AD	PIPING OUTLET LOCATIONS
1-1.5 SINGLE CIRCUIT	35 ¹⁵ / ₁₆	16	29 ⁹ / ₁₆	37 ⁵ / ₁₆	25 ¹ / ₄	4 ¹⁵ / ₁₆	12	6 ¹ / ₄	12 ¹ / ₁₆	12	2 ³ / ₄	1 ¹ / ₄	2 ³ / ₁₆	
2-5 SINGLE CIRCUIT	47 ³ / ₈	22	34 ³ / ₄	48 ³ / ₄	21 ⁹ / ₁₆	4 ¹¹ / ₁₆	16	10	16	16	4 ¹¹ / ₁₆	1 ³ / ₁₆	11 ¹ / ₈	ROW 1
4-8 DUAL CIRCUIT	55 ³ / ₈	27	40 ³ / ₈	56 ³ / ₄	27 ¹ / ₄	3 ¹¹ / ₁₆	18	15 ¹ / ₁₆	18	20	4 ¹¹ / ₁₆	2 ³ / ₁₆	11 ¹ / ₈	ROWS 1 & 2
10 DUAL CIRCUIT	70 ⁵ / ₈	29	45 ⁵ / ₁₆	72 ¹ / ₁₆	32 ¹ / ₈	5 ⁵ / ₈	30	14 ⁷ / ₁₆	20	24	3 ¹ / ₂	1 ¹ / ₂	11 ¹ / ₈	ROWS 1 & 3
12-15 TRIPLE CIRCUIT	70 ⁵ / ₈	29	45 ⁵ / ₁₆	72 ¹ / ₁₆	32 ¹ / ₈	5 ⁵ / ₈	30	14 ⁷ / ₁₆	20	24	3 ¹ / ₂	1 ¹ / ₂	11 ¹ / ₈	ROWS 1, 2 & 3