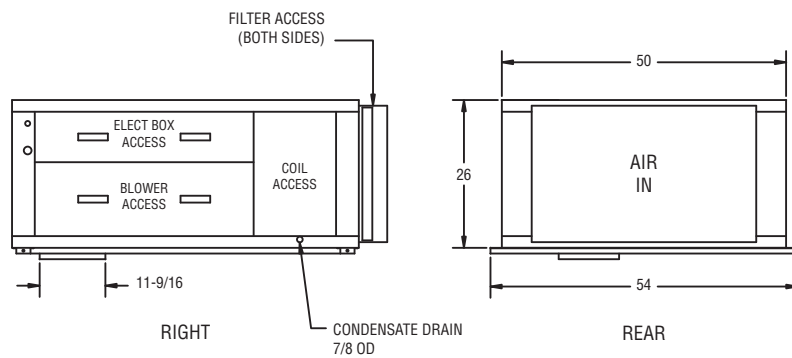
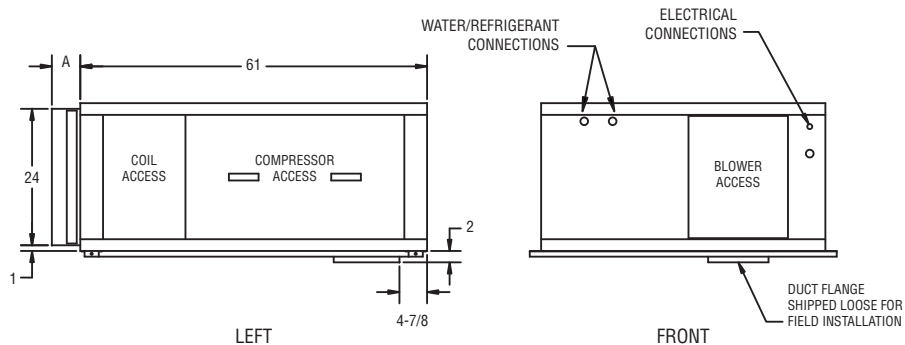


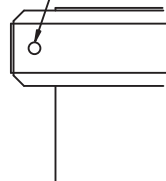


## OmegaAir™ Horizontal "B" Air Path 4-8 Tons

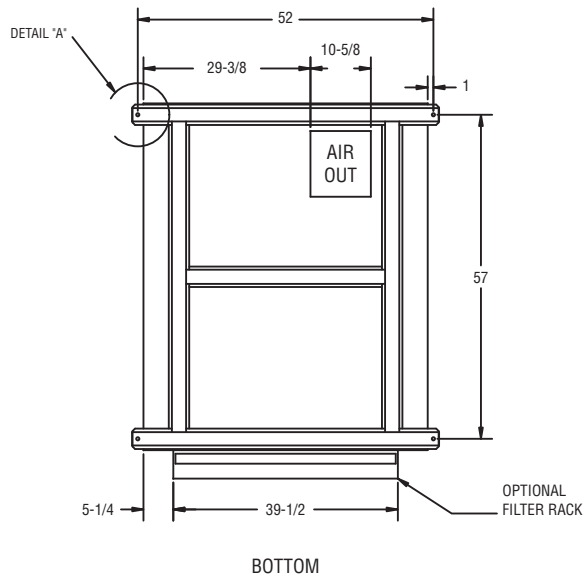


- A Filter Size - None Supplied
- 1 (1" duct flange)
- 5 2" filter (optional)
- 7 4" filter (optional)

CLEARANCE HOLE FOR  
3/8" HANGING ROD  
TYP 8 PLS



DETAIL A



BOTTOM

491 East Princess Street • York, Pennsylvania 17403 • 717-843-4311 • Toll Free 877-905-1111 • fax: 717-854-4462

www.unitedcoolair.com • uca@unitedcoolair.com

Subject to change without notice.

Drawing No. CA10386A