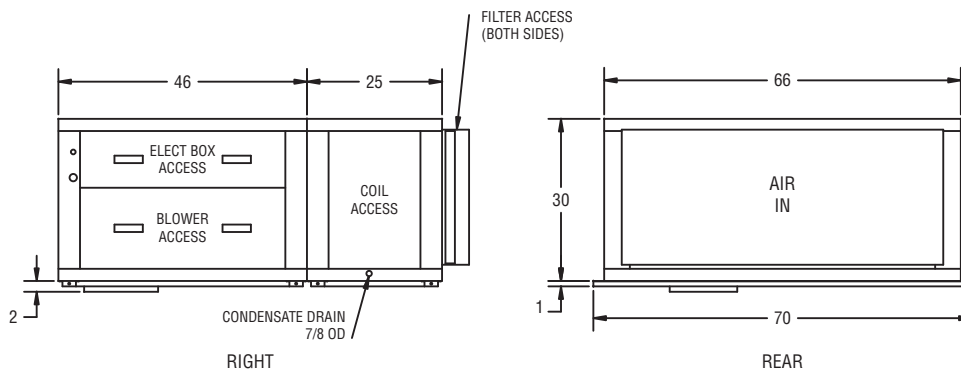
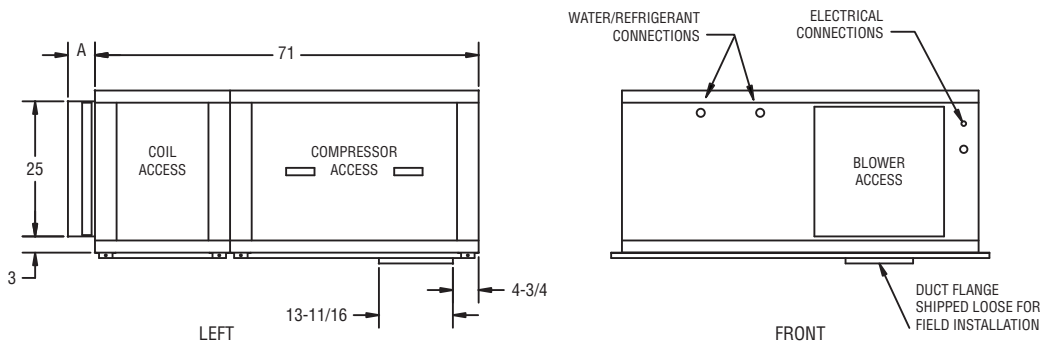
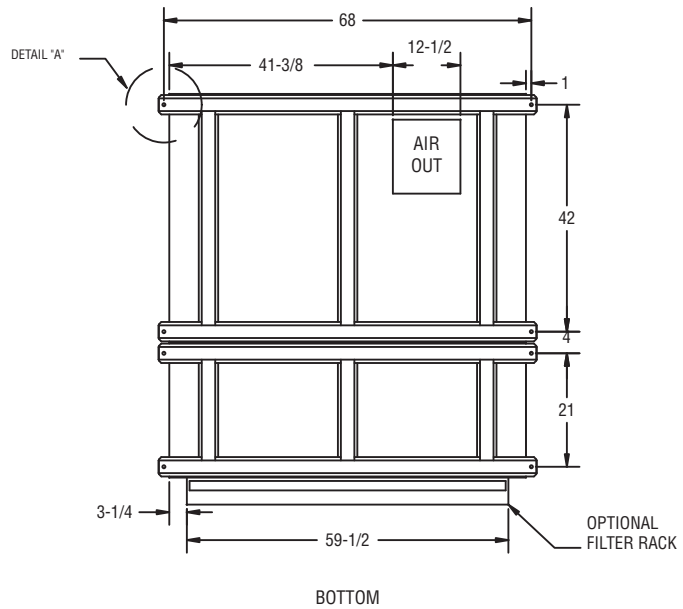
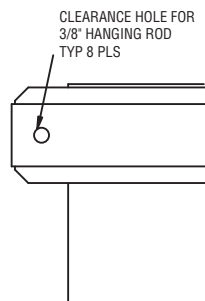




OmegaAir™ Horizontal "B" Air Path 9-15 Tons



- A Filter Size - None Supplied
- 1 (1" duct flange)
- 5 2" filter (optional)
- 7 4" filter (optional)



491 East Princess Street • York, Pennsylvania 17403 • 717-843-4311 • Toll Free 877-905-1111 • fax: 717-854-4462

www.unitedcoolair.com • uca@unitedcoolair.com

Subject to change without notice.

Drawing No. CA10387A