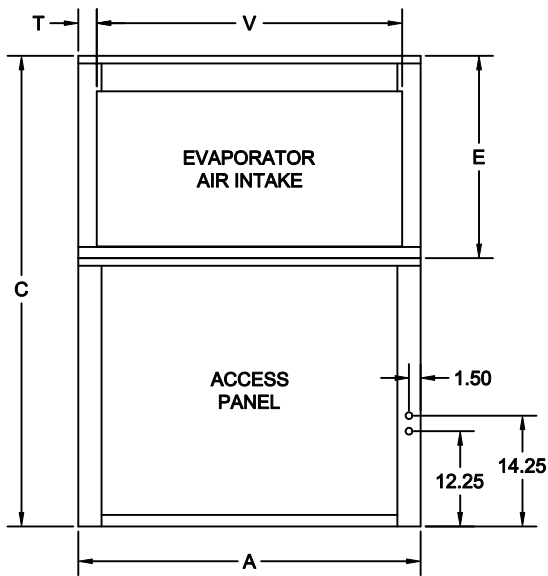
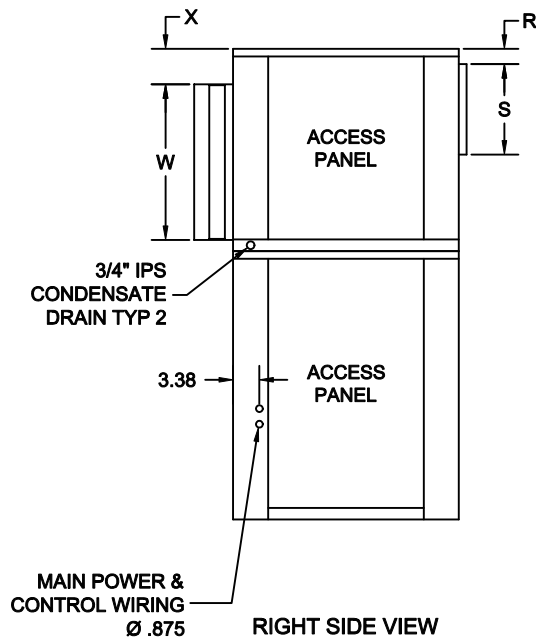


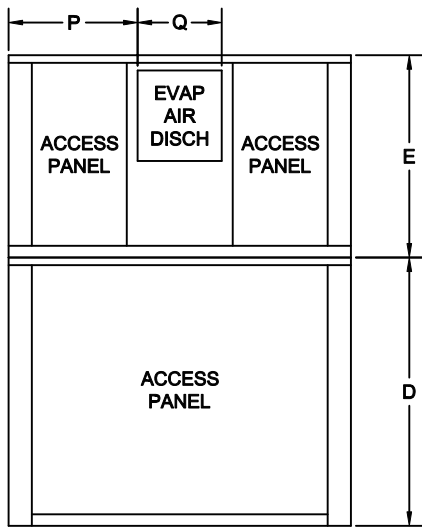
VertiCool - Water-Cooled Draw-Through "D" Air Path



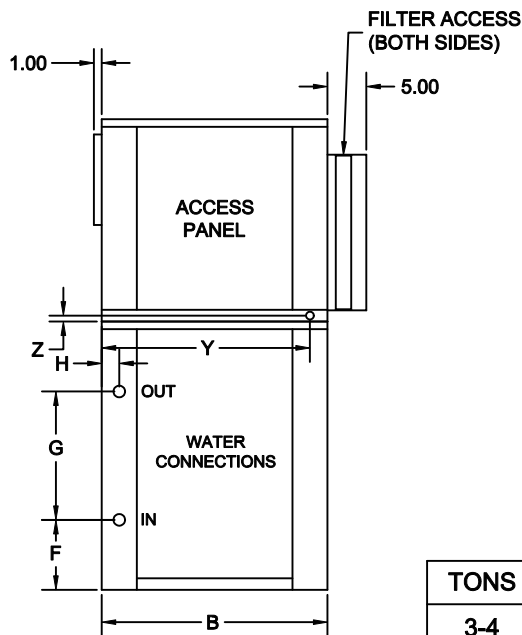
FRONT VIEW



RIGHT SIDE VIEW



REAR VIEW



LEFT SIDE VIEW

TONS	PIPE SIZE
3-4	3/4" FPT IN & OUT
5	1" FPT IN & OUT

TONS	A	B	C	D	E	F	G	H	J	K	L	M	N	P	Q	R	S	T	V	W	X	Y	Z
3-5	44	29	$60\frac{1}{2}$	$34\frac{1}{2}$	26	9	$16\frac{1}{2}$	$2\frac{1}{4}$	X	X	X	X	X	$16\frac{9}{16}$	$10\frac{13}{16}$	2	$11\frac{5}{8}$	$2\frac{3}{8}$	$39\frac{1}{4}$	20	$4\frac{9}{16}$	$26\frac{3}{4}$	$\frac{3}{4}$

491 East Princess Street • York, Pennsylvania 17403 • 717-843-4311 • Toll Free 877-905-1111 • fax: 717-854-4462

www.unitedcoolair.com • uca@unitedcoolair.com

CA10009-() (10)
04/17/09