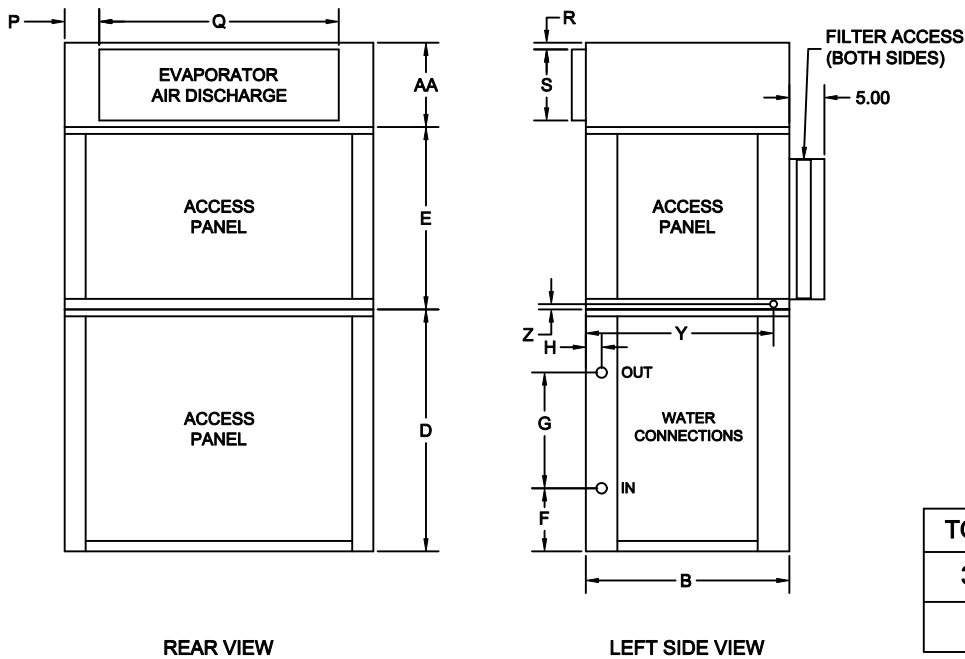
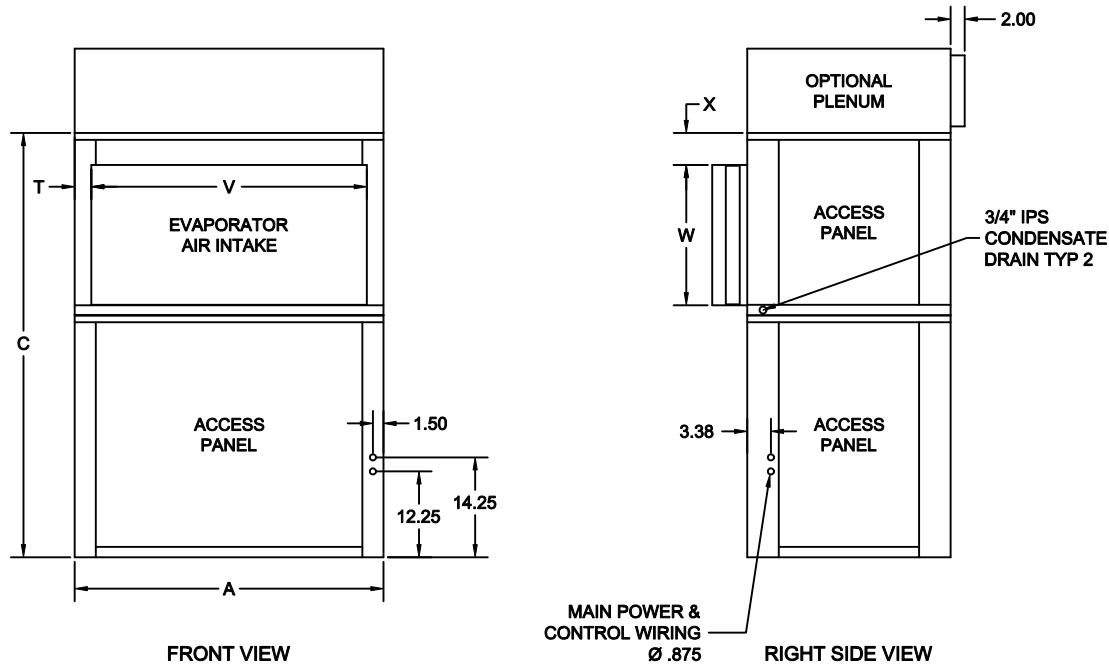


## VertiCool - Water-Cooled Draw-Through "BPR" Air Path



| TONS | PIPE SIZE         |
|------|-------------------|
| 3-4  | 3/4" FPT IN & OUT |
| 5    | 1" FPT IN & OUT   |

| TONS | A  | B  | C                | D                | E  | F | G                | H               | J | K | L | M | N | P                 | Q                | R                  | S                | T               | V                | W  | X                | Y                | Z               | AA |
|------|----|----|------------------|------------------|----|---|------------------|-----------------|---|---|---|---|---|-------------------|------------------|--------------------|------------------|-----------------|------------------|----|------------------|------------------|-----------------|----|
| 3-5  | 44 | 29 | 60 $\frac{1}{2}$ | 34 $\frac{1}{2}$ | 26 | 9 | 16 $\frac{1}{2}$ | 2 $\frac{1}{4}$ | ⊗ | ⊗ | ⊗ | ⊗ | ⊗ | 4 $\frac{15}{16}$ | 34 $\frac{1}{8}$ | 15 $\frac{15}{16}$ | 10 $\frac{1}{8}$ | 2 $\frac{3}{8}$ | 39 $\frac{1}{4}$ | 20 | 4 $\frac{9}{16}$ | 26 $\frac{3}{4}$ | 3 $\frac{3}{4}$ | 12 |

491 East Princess Street • York, Pennsylvania 17403 • 717-843-4311 • Toll Free 877-905-1111 • fax: 717-854-4462

www.unitedcoolair.com • uca@unitedcoolair.com

CA10009(-)(6)  
04/17/09