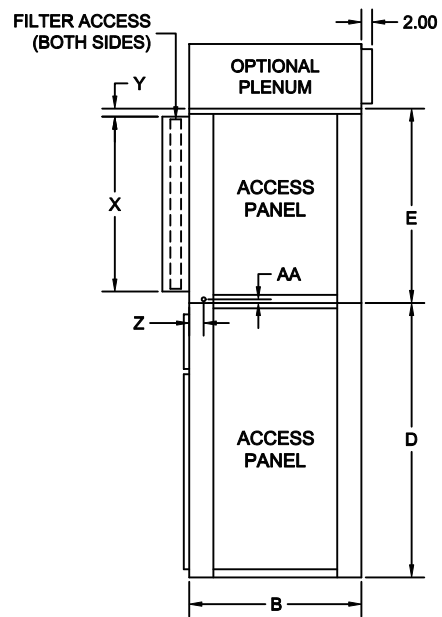
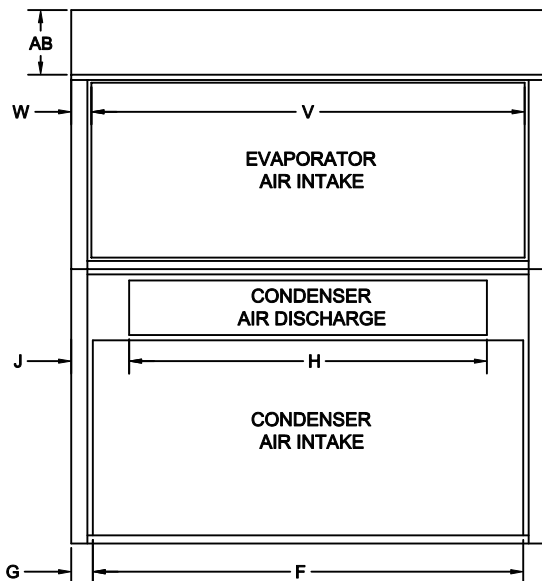
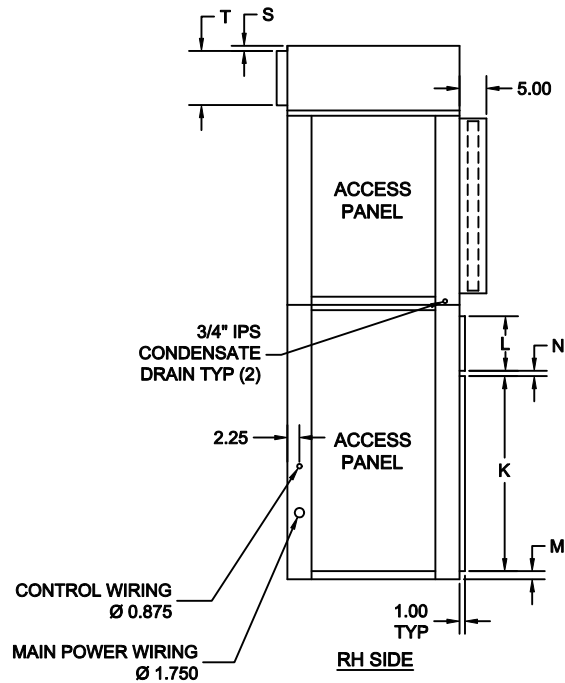
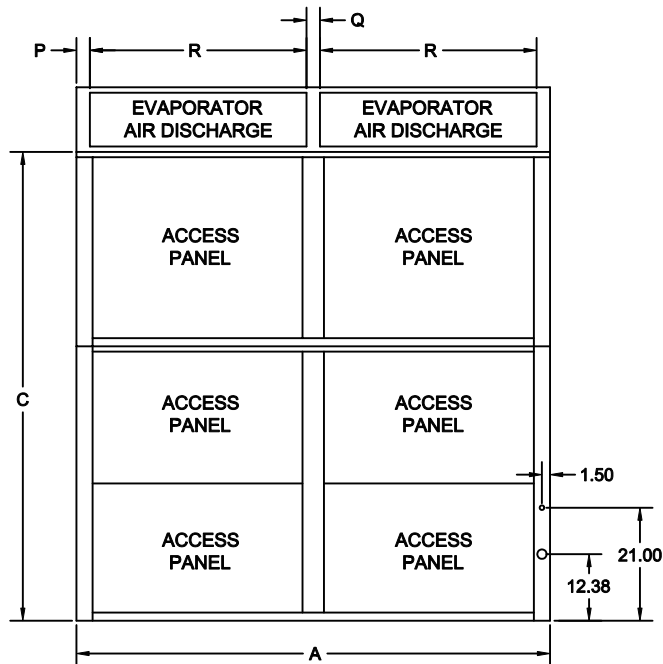




## VertiCool Air-Cooled Unit "APF" Air Path 25 Tons



TONS	A	B	C	D	E	F	G	H	J	K	L	M	N	P	Q	R	S	T	V	W	X	Y	Z	AA	AB
25	88 <sup>1</sup> / <sub>4</sub>	32 <sup>1</sup> / <sub>4</sub>	87 <sup>1</sup> / <sub>4</sub>	51	36 <sup>1</sup> / <sub>4</sub>	80	4 <sup>1</sup> / <sub>8</sub>	66 <sup>5</sup> / <sub>8</sub>	10 <sup>13</sup> / <sub>16</sub>	36 <sup>5</sup> / <sub>16</sub>	10 <sup>1</sup> / <sub>8</sub>	1 <sup>1</sup> / <sub>2</sub>	1	2 <sup>3</sup> / <sub>16</sub>	3 <sup>3</sup> / <sub>8</sub>	40 <sup>1</sup> / <sub>8</sub>	15 <sup>15</sup> / <sub>16</sub>	10 <sup>1</sup> / <sub>8</sub>	80	4 <sup>1</sup> / <sub>8</sub>	33 <sup>9</sup> / <sub>16</sub>	1 <sup>1</sup> / <sub>16</sub>	2 <sup>15</sup> / <sub>16</sub>	3 <sup>3</sup> / <sub>4</sub>	12

491 East Princess Street • York, Pennsylvania 17403 • 717-843-4311 • Toll Free 877-905-1111 • fax: 717-854-4462

www.unitedcoolair.com • uca@unitedcoolair.com

CA10018(-)(3)  
08/19/09

Subject to change without notice.