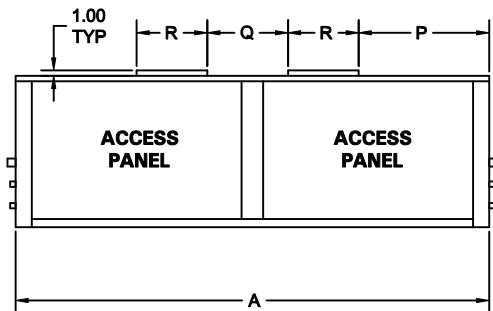
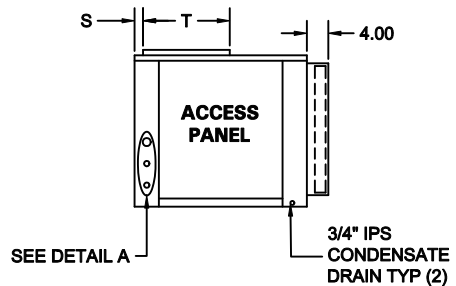


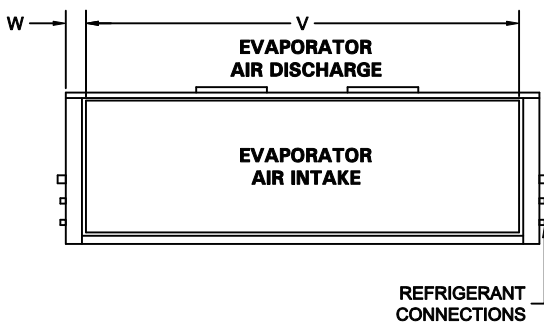
## VertiCool Evaporator Section "A" Air Path 12 - 20 Tons



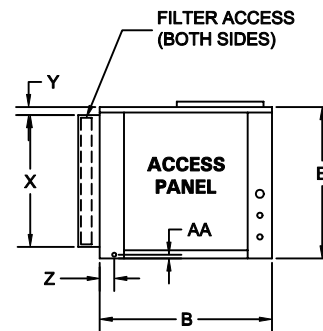
**FRONT VIEW**



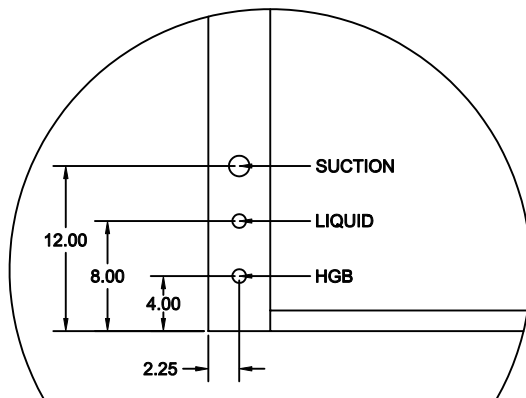
**RH SIDE**



**REAR VIEW**



**LH SIDE**



**DETAIL A**

TONS	A	B	C	D	E	F	G	H	J	K	L	M	N	P	Q	R	S	T	V	W	X	Y	Z	AA
12-20	88 $\frac{1}{4}$	32 $\frac{1}{4}$			28 $\frac{1}{4}$									25	14 $\frac{3}{4}$	13	1 $\frac{7}{16}$	16 $\frac{1}{8}$	78 $\frac{5}{8}$	4 $\frac{13}{16}$	24 $\frac{1}{4}$	1 $\frac{7}{8}$	2 $\frac{7}{8}$	3 $\frac{3}{4}$

491 East Princess Street • York, Pennsylvania 17403 • 717-843-4311 • Toll Free 877-905-1111 • fax: 717-854-4462

www.unitedcoolair.com • uca@unitedcoolair.com

Subject to change without notice.

CA10995(A)(1)  
08/19/09