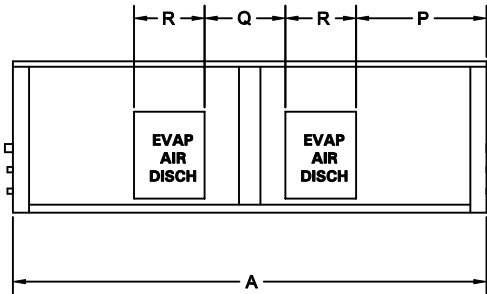
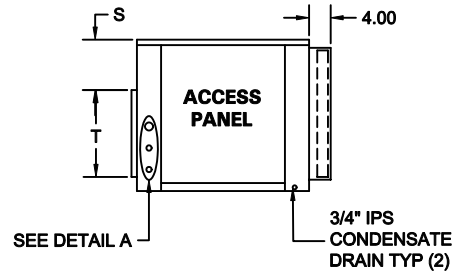


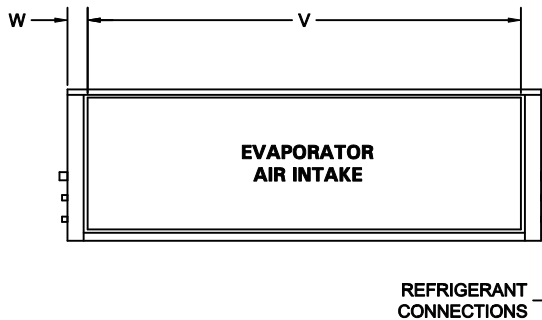
## VertiCool Evaporator Section "C" Air Path 12 - 20 Tons



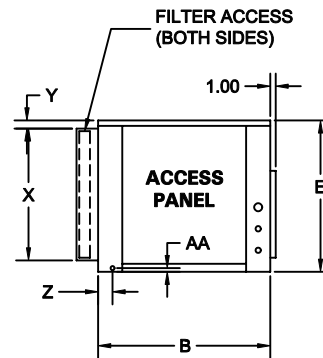
**FRONT VIEW**



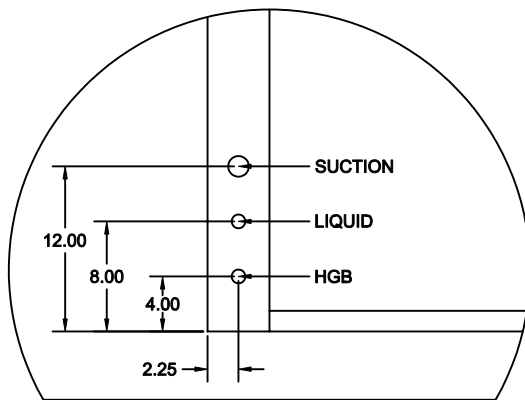
**RH SIDE**



**REAR VIEW**



**LH SIDE**



**DETAIL A**

TONS	A	B	C	D	E	F	G	H	J	K	L	M	N	P	Q	R	S	T	V	W	X	Y	Z	AA
12-20	88 <sup>1</sup> / <sub>4</sub>	32 <sup>1</sup> / <sub>4</sub>	⊗	⊗	28 <sup>1</sup> / <sub>4</sub>	⊗	⊗	⊗	⊗	⊗	⊗	⊗	⊗	25	14 <sup>13</sup> / <sub>16</sub>	13	9 <sup>9</sup> / <sub>32</sub>	16 <sup>1</sup> / <sub>8</sub>	78 <sup>5</sup> / <sub>8</sub>	4 <sup>13</sup> / <sub>16</sub>	24 <sup>1</sup> / <sub>4</sub>	1 <sup>7</sup> / <sub>8</sub>	2 <sup>7</sup> / <sub>8</sub>	3 <sup>3</sup> / <sub>4</sub>

491 East Princess Street • York, Pennsylvania 17403 • 717-843-4311 • Toll Free 877-905-1111 • fax: 717-854-4462

www.unitedcoolair.com • uca@unitedcoolair.com

CA10995(A)(2)  
08/19/09

Subject to change without notice.