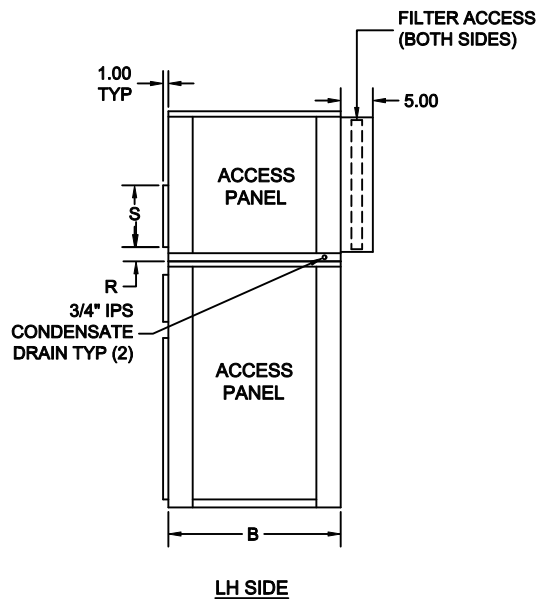
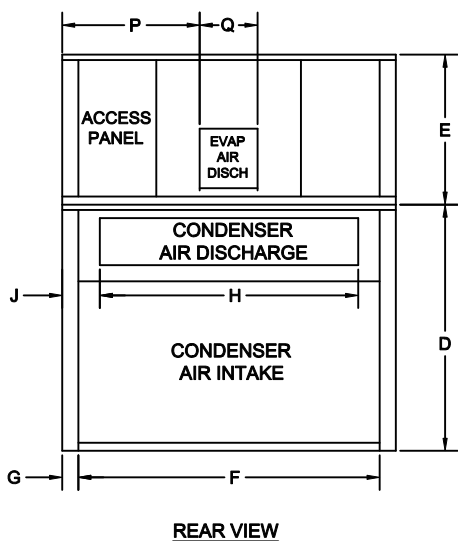
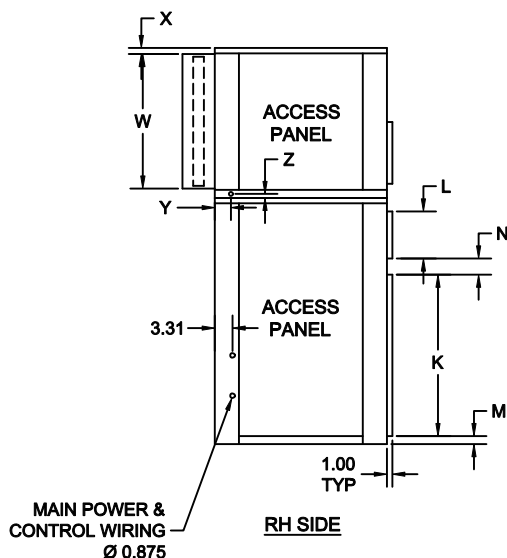
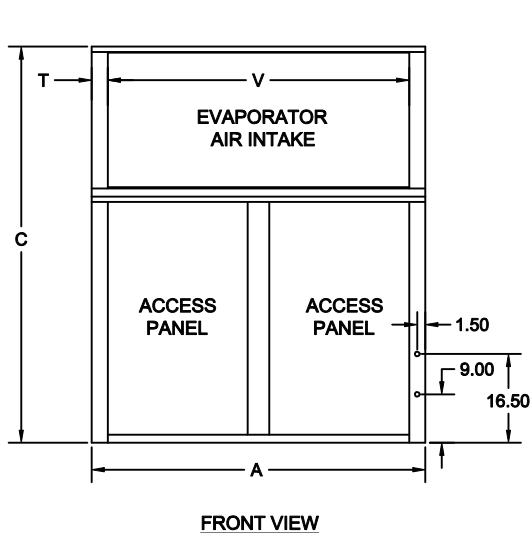




VertiCool Air-Cooled Unit "D" Air Path 8 - 10 Tons w/ Single G10 -8 Blower



TONS	A	B	C	D	E	F	G	H	J	K	L	M	N	P	Q	R	S	T	V	W	X	Y	Z
8-10	62	32	73 ⁵ / ₈	45 ³ / ₄	27 ⁷ / ₈	56	3	48	7	30	8 ³ / ₄	1 ¹ / ₂	2 ⁷ / ₈	25 ⁹ / ₁₆	10 ³ / ₄	2 ⁵ / ₈	11 ¹ / ₂	3 ¹ / ₁₆	55 ⁷ / ₈	25	1 ¹ / ₈	3	3 ³ / ₄

491 East Princess Street • York, Pennsylvania 17403 • 717-843-4311 • Toll Free 877-905-1111 • fax: 717-854-4462
 www.unitedcoolair.com • uca@unitedcoolair.com

Subject to change without notice.

CA10996(-)(4)
08/19/09