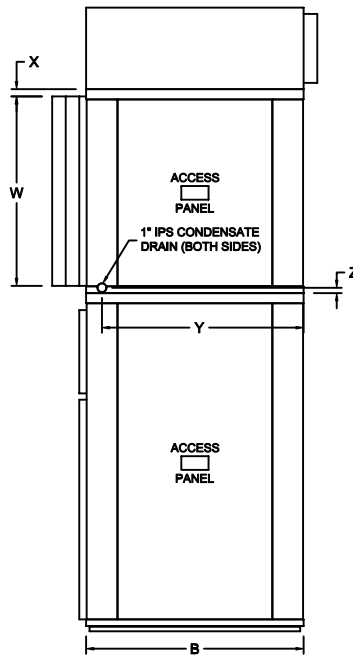
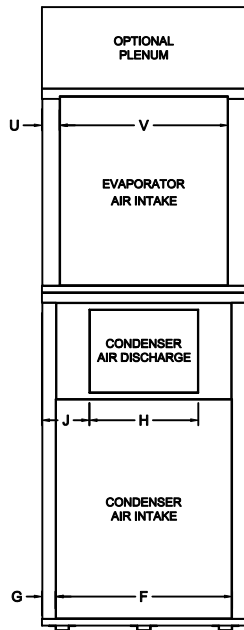
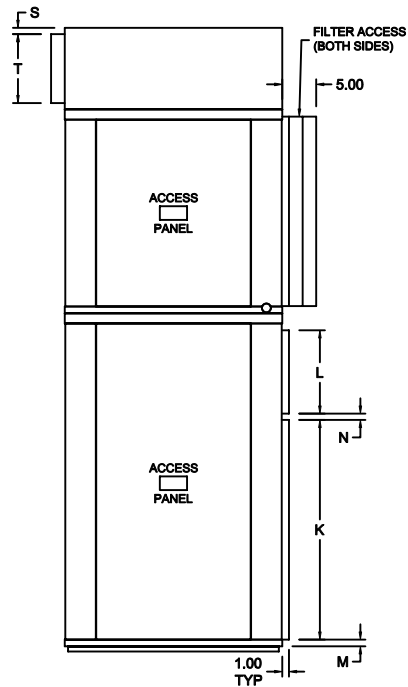
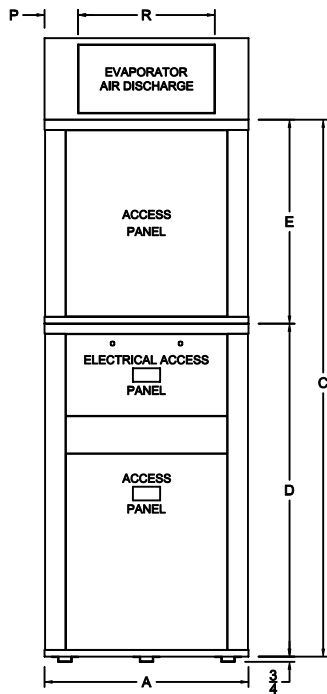




## VertiCool Aurora Air-Cooled 3-5 Ton "APF" Air Path



TONS	A	B	C	D	E	F	G	H	J	K	L	M	N	P	R	S	T	U	V	W	X	Y	Z
3-5	30	32	79	49	30	25 <sup>31</sup> / <sub>32</sub>	2	16 <sup>1</sup> / <sub>32</sub>	7	32 <sup>5</sup> / <sub>16</sub>	12 <sup>1</sup> / <sub>4</sub>	1	15 <sup>15</sup> / <sub>16</sub>	4 <sup>15</sup> / <sub>16</sub>	20 <sup>1</sup> / <sub>8</sub>	15 <sup>15</sup> / <sub>16</sub>	10 <sup>1</sup> / <sub>8</sub>	2 <sup>5</sup> / <sub>8</sub>	24 <sup>3</sup> / <sub>4</sub>	27 <sup>7</sup> / <sub>8</sub>	1 <sup>1</sup> / <sub>16</sub>	29 <sup>11</sup> / <sub>16</sub>	25 <sup>25</sup> / <sub>32</sub>

491 East Princess Street • York, Pennsylvania 17403 • 717-843-4311 • Toll Free 877-905-1111 • fax: 717-854-4462  
 www.unitedcoolair.com • uca@unitedcoolair.com

CA11504(A)(3)  
08/24/09

Subject to change without notice.