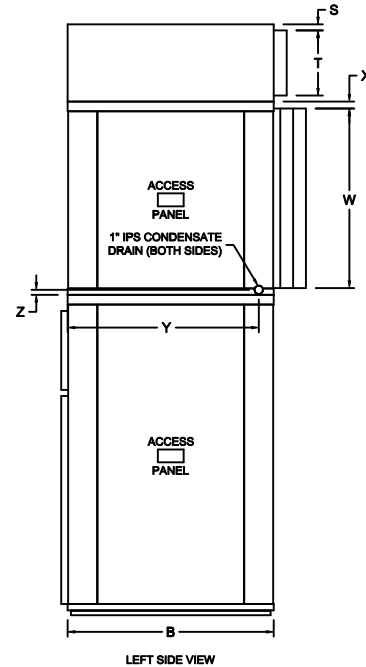
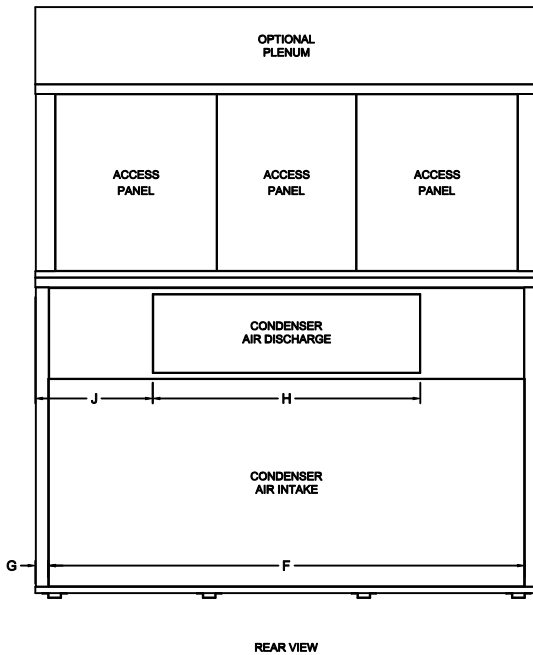
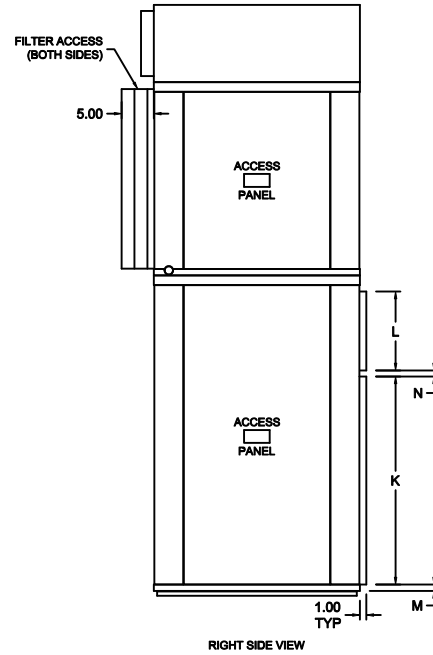
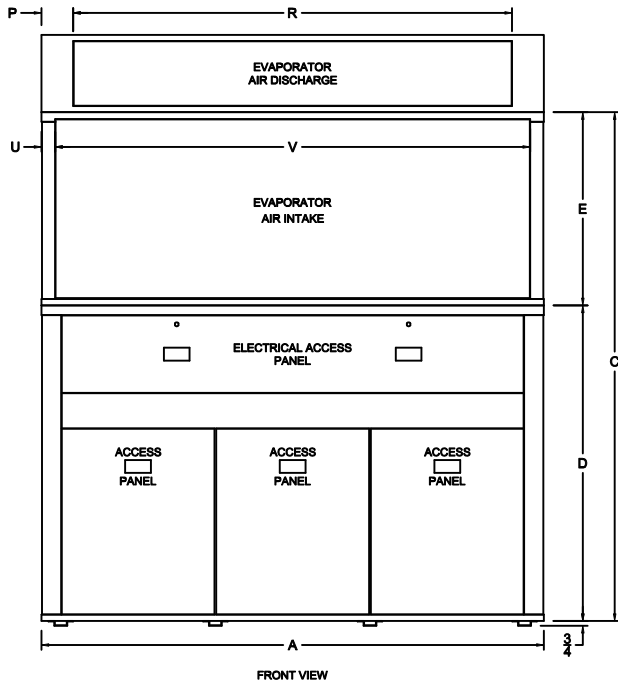




VertiCool Aurora Air-Cooled 12-15 Ton "BPF" Air Path



TONS	A	B	C	D	E	F	G	H	J	K	L	M	N	P	R	S	T	U	V	W	X	Y	Z
12-15	78	32	79	49	30	73 ³¹ / ₃₂	2	41 ¹⁷ / ₃₂	18 ¹ / ₄	32 ⁵ / ₁₆	12 ¹ / ₄	1	15 ¹⁵ / ₁₆	4 ¹⁵ / ₁₆	60 ¹ / ₈	15 ¹⁵ / ₁₆	10 ¹ / ₈	2 ¹ / ₈	73 ³ / ₄	27 ⁷ / ₈	1 ¹ / ₁₆	29 ¹¹ / ₁₆	25 ²⁵ / ₃₂

491 East Princess Street • York, Pennsylvania 17403 • 717-843-4311 • Toll Free 877-905-1111 • fax: 717-854-4462
 www.unitedcoolair.com • uca@unitedcoolair.com

Subject to change without notice.

CA11512(-)(4)
08/24/09