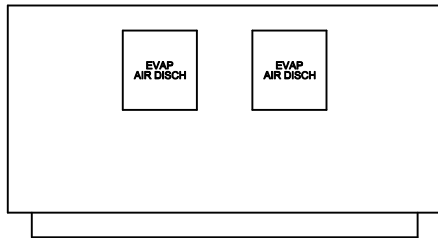
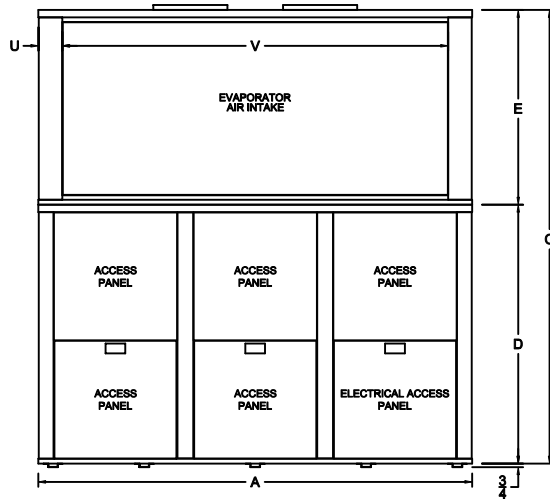




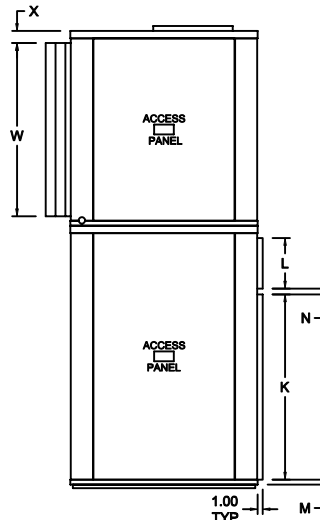
VertiCool Aurora Air-Cooled 20-25 Ton "B" Air Path



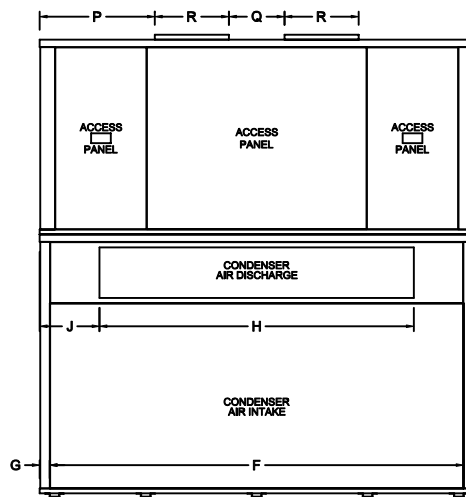
TOP VIEW



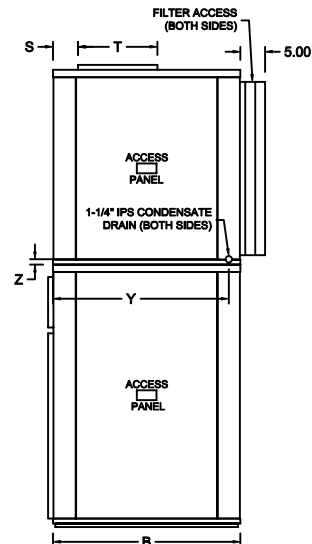
FRONT VIEW



RIGHT SIDE VIEW



REAR VIEW



LEFT SIDE VIEW

TONS	A	B	C	D	E	F	G	H	J	K	L	M	N	P	Q	R	S	T	U	V	W	X	Y	Z
20-25	88	38	92	52 ¹ / ₂	39 ¹ / ₂	83 ¹⁵ / ₁₆	2 ¹ / ₃₂	63 ³ / ₄	12 ¹ / ₈	37 ⁹ / ₁₆	10 ¹ / ₄	1	1 ³ / ₁₆	23 ¹¹ / ₃₂	11 ⁹ / ₃₂	15 ¹ / ₃₂	5 ¹ / ₁₆	16 ³ / ₃₂	4 ⁷ / ₈	78 ¹ / ₄	35 ⁷ / ₈	1 ²³ / ₃₂	35 ²¹ / ₃₂	1 ¹ / ₁₆

491 East Princess Street • York, Pennsylvania 17403 • 717-843-4311 • Toll Free 877-905-1111 • fax: 717-854-4462

www.unitedcoolair.com • uca@unitedcoolair.com

Subject to change without notice.

CA11516(-)(2)
08/24/09