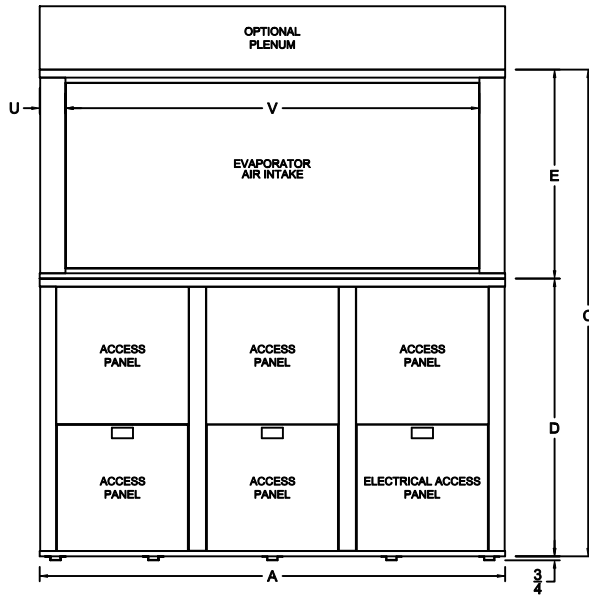
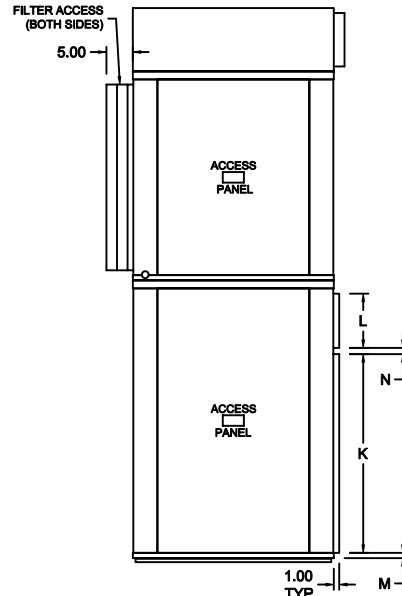




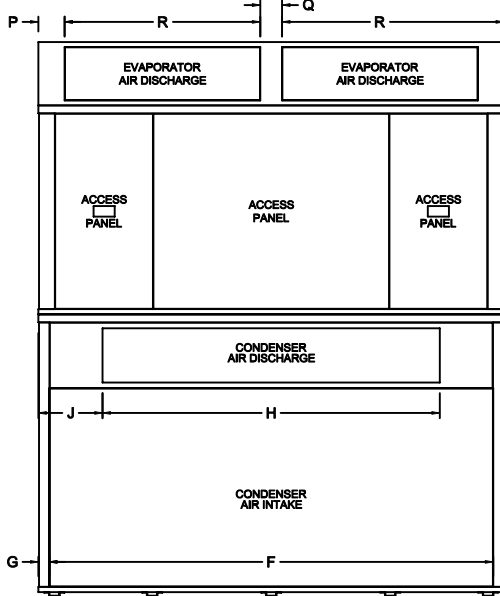
VertiCool Aurora Air-Cooled 20-25 Ton "BPR" Air Path



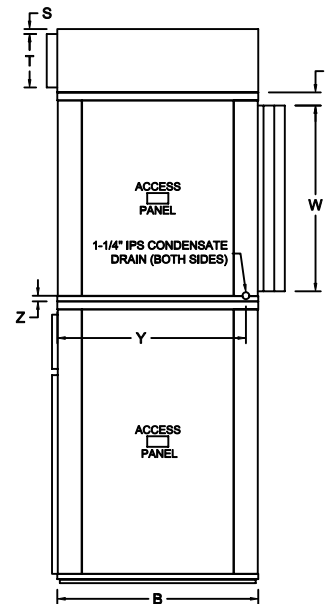
FRONT VIEW



RIGHT SIDE VIEW



REAR VIEW



LEFT SIDE VIEW

TONS	A	B	C	D	E	F	G	H	J	K	L	M	N	P	Q	R	S	T	U	V	W	X	Y	Z
20-25	88	38	92	52 $\frac{1}{2}$	39 $\frac{1}{2}$	83 $\frac{15}{16}$	2 $\frac{1}{32}$	63 $\frac{3}{4}$	12 $\frac{1}{8}$	37 $\frac{9}{16}$	10 $\frac{1}{4}$	1	1 $\frac{3}{16}$	4 $\frac{15}{16}$	4 $\frac{1}{8}$	37	15 $\frac{1}{16}$	10 $\frac{1}{8}$	4 $\frac{7}{8}$	78 $\frac{1}{4}$	35 $\frac{7}{8}$	1 $\frac{23}{32}$	35 $\frac{21}{32}$	1 $\frac{1}{16}$

491 East Princess Street • York, Pennsylvania 17403 • 717-843-4311 • Toll Free 877-905-1111 • fax: 717-854-4462
www.unitedcoolair.com • uca@unitedcoolair.com

Subject to change without notice.

CA11516(-)(6)
08/24/09