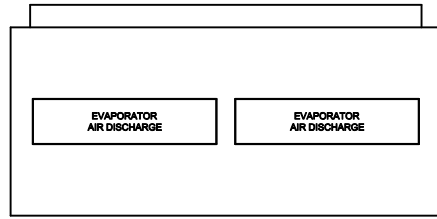
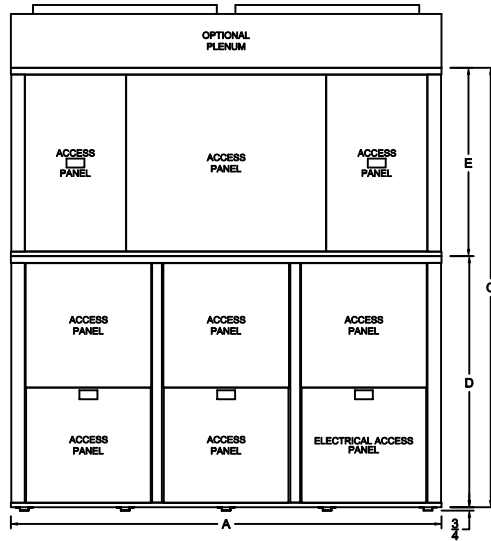




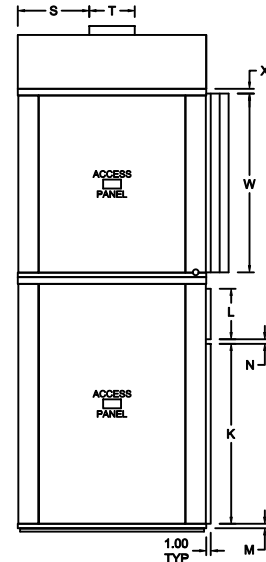
## VertiCool Aurora Air-Cooled 30 Ton "APT" Air Path



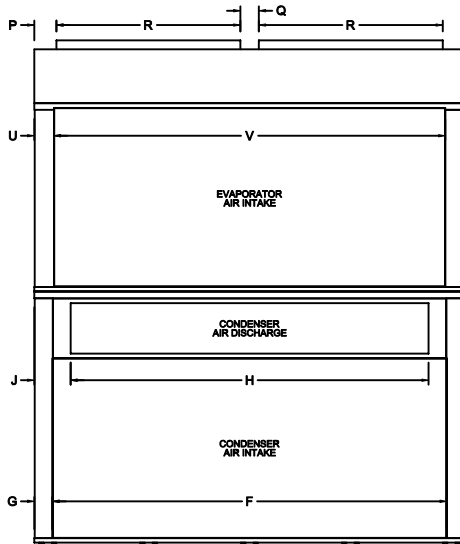
TOP VIEW



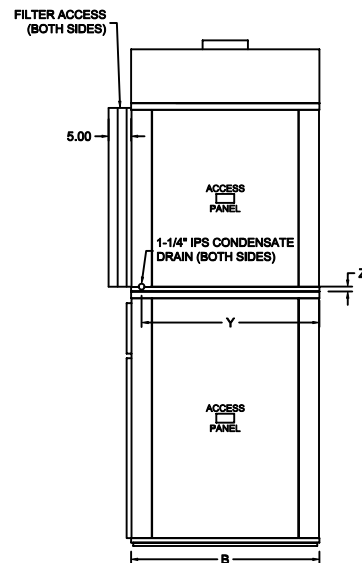
FRONT VIEW



RIGHT SIDE VIEW



REAR VIEW



LEFT SIDE VIEW

TONS	A	B	C	D	E	F	G	H	J	K	L	M	N	P	Q	R	S	T	U	V	W	X	Y	Z
30	96	42	98	56	42	87 <sup>7</sup> / <sub>8</sub>	4 <sup>1</sup> / <sub>16</sub>	79 <sup>13</sup> / <sub>16</sub>	8 <sup>3</sup> / <sub>32</sub>	40 <sup>1</sup> / <sub>8</sub>	11 <sup>1</sup> / <sub>4</sub>	1	1 <sup>1</sup> / <sub>32</sub>	4 <sup>15</sup> / <sub>16</sub>	4 <sup>1</sup> / <sub>8</sub>	41	15 <sup>15</sup> / <sub>16</sub>	10 <sup>1</sup> / <sub>8</sub>	4 <sup>3</sup> / <sub>8</sub>	87 <sup>1</sup> / <sub>4</sub>	39 <sup>7</sup> / <sub>8</sub>	1 <sup>1</sup> / <sub>16</sub>	39 <sup>21</sup> / <sub>32</sub>	1 <sup>1</sup> / <sub>16</sub>

491 East Princess Street • York, Pennsylvania 17403 • 717-843-4311 • Toll Free 877-905-1111 • fax: 717-854-4462

www.unitedcoolair.com • uca@unitedcoolair.com

CA11520(A)(7)  
08/24/09

Subject to change without notice.