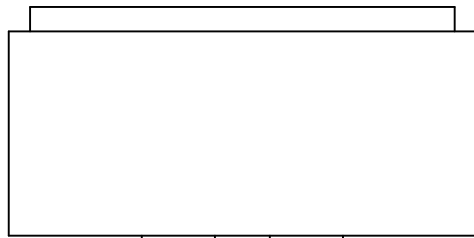
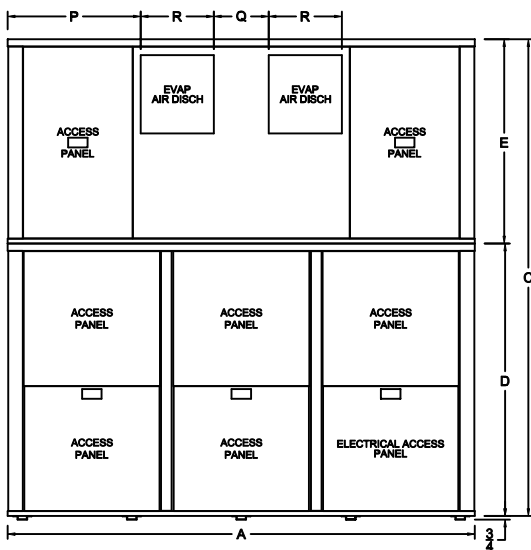




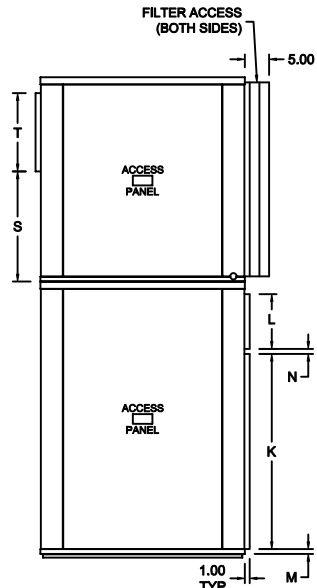
VertiCool Aurora Air-Cooled 30 Ton "C" Air Path



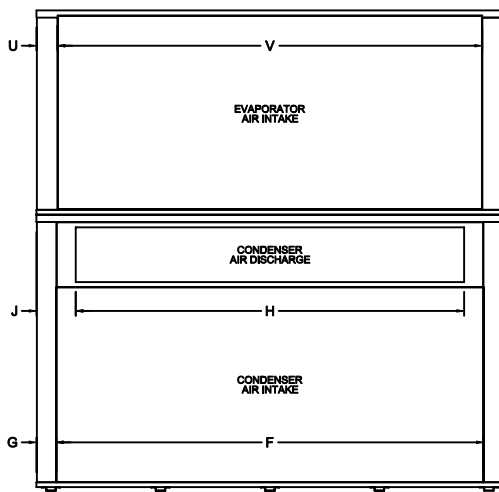
TOP VIEW



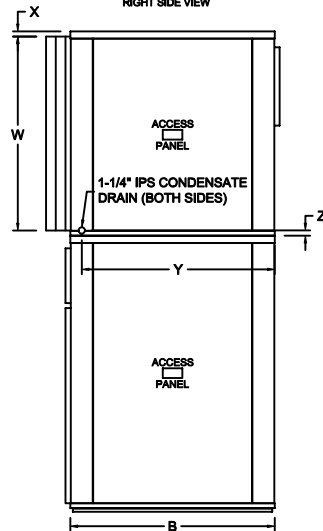
FRONT VIEW



RIGHT SIDE VIEW



REAR VIEW



LEFT SIDE VIEW

TONS	A	B	C	D	E	F	G	H	J	K	L	M	N	P	Q	R	S	T	U	V	W	X	Y	Z
30	96	42	98	56	42	87 ⁷ / ₈	4 ¹ / ₁₆	79 ¹³ / ₁₆	8 ³ / ₃₂	40 ¹ / ₈	11 ¹ / ₄	1	1 ¹ / ₃₂	27 ¹¹ / ₃₂	11 ⁹ / ₃₂	15 ¹ / ₃₂	22 ⁵ / ₈	16 ³ / ₃₂	4 ³ / ₈	87 ¹ / ₄	39 ⁷ / ₈	1 ¹ / ₁₆	39 ²¹ / ₃₂	1 ¹ / ₁₆

491 East Princess Street • York, Pennsylvania 17403 • 717-843-4311 • Toll Free 877-905-1111 • fax: 717-854-4462

www.unitedcoolair.com • uca@unitedcoolair.com

CA11520(A)(9)
08/24/09

Subject to change without notice.