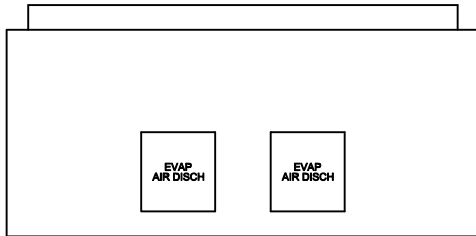


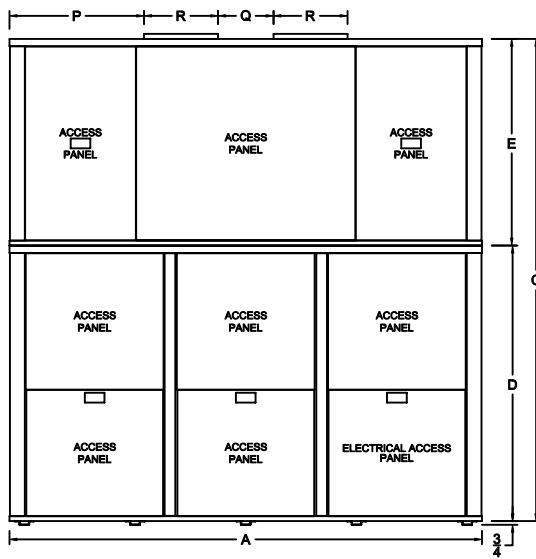


## VertiCool Aurora Water-Cooled 30 Ton "A" Air Path

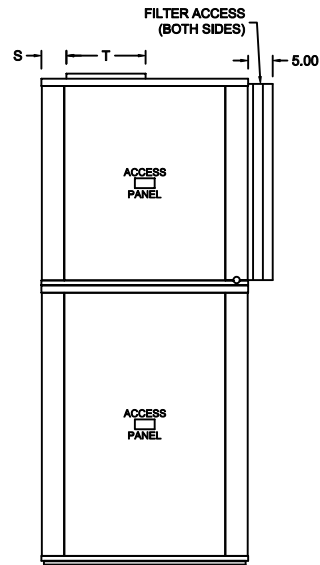


TOP VIEW

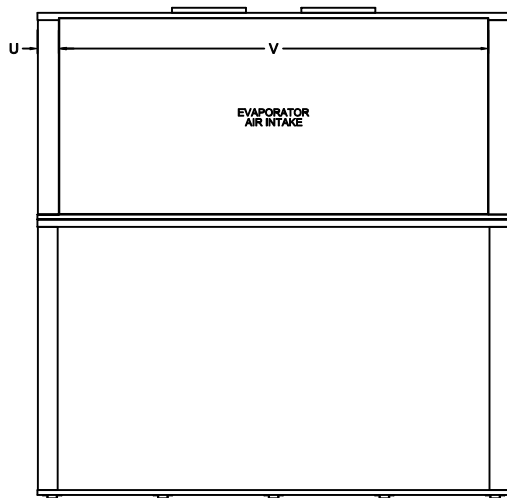
TONS	PIPE SIZE (FPT)
30	2-1/2"



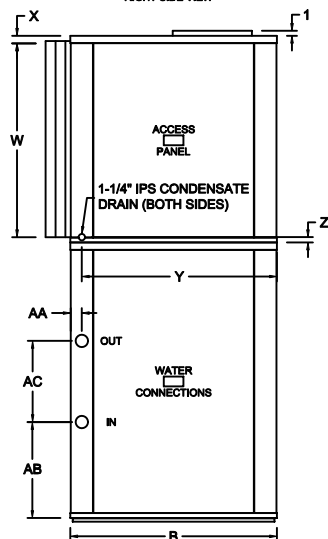
FRONT VIEW



RIGHT SIDE VIEW



REAR VIEW



LEFT SIDE VIEW

TONS	A	B	C	D	E	P	Q	R	S	T	U	V	W	X	Y	Z	AA	AB	AC
30	96	42	98	56	42	27 $\frac{11}{32}$	11 $\frac{9}{32}$	15 $\frac{1}{32}$	5 $\frac{1}{16}$	16 $\frac{3}{32}$	4 $\frac{3}{8}$	87 $\frac{1}{4}$	39 $\frac{7}{8}$	1 $\frac{1}{16}$	39 $\frac{21}{32}$	1 $\frac{1}{16}$	2 $\frac{1}{4}$	19 $\frac{1}{2}$	16 $\frac{1}{2}$

491 East Princess Street • York, Pennsylvania 17403 • 717-843-4311 • Toll Free 877-905-1111 • fax: 717-854-4462  
 www.unitedcoolair.com • uca@unitedcoolair.com

Subject to change without notice.

CA11521(-)(1)  
08/24/09